

METABOX – pull-out system



► Basic elements

►► Single extension – drawer/inner drawer – M

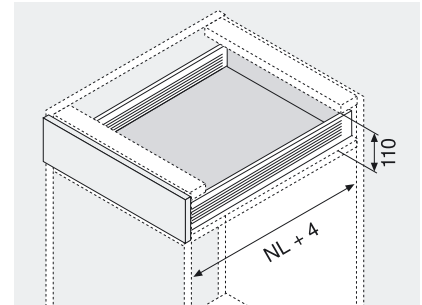
Product



Description

- Single extension with 86 mm high
- Epoxy coated steel drawer sides
- Drawer sides in cream (RAL 9001) as standard and in grey (RAL 9006) and white upon request
- High impact nylon rollers
- Dyn. load bearing 25 kg
- BLUMATIC self closing feature
- 2-dimensional front adjustment

Space requirement



NL Nominal length

Ordering information

METABOX

Nominal length NL	1 Cabinet profile drawer side left/right, RAL 9001 cream	
	Screw-on version	Quick assembly version
270 mm	320M2700C	320M2700C15
350 mm	320M3500C	320M3500C15
400 mm	320M4000C	320M4000C15
450 mm	320M4500C	320M4500C15
500 mm	320M5000C	320M5000C15
550 mm	320M5500C	320M5500C15

Other colours available upon request (white or grey)

2a CLIP-front fixing brackets	
Screw-on version	ZSF.1200
Knock-in version	ZSF.1300
EXPANDO-version	ZSF.130E
Order left and right	

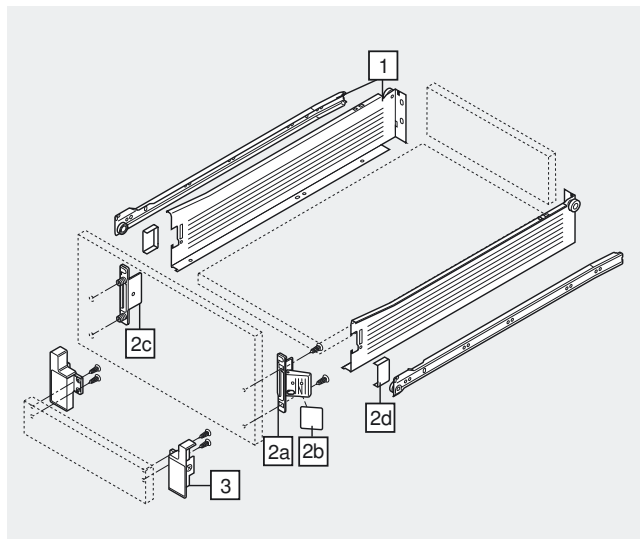
2b Cover caps for 2a	
RAL 9001 cream	ZAA.3700
Nylon	
Order left and right	

Alternative to 2a

2c Standard front fixing brackets left	
Screw-on version	ZSF.1700
Knock-in version	ZSF.1800
Order left and right	

2d Cover caps for 2c	
RAL 9001 cream	2 x ZAA.3500
Nylon	

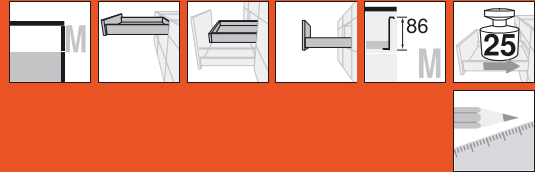
3 Front fixing for inner drawers	
RAL 9001 cream	ZIF.3000
Nylon	
Order left and right	



METABOX – pull-out system

► Basic elements

►► Single extension – drawer/inner drawer – M

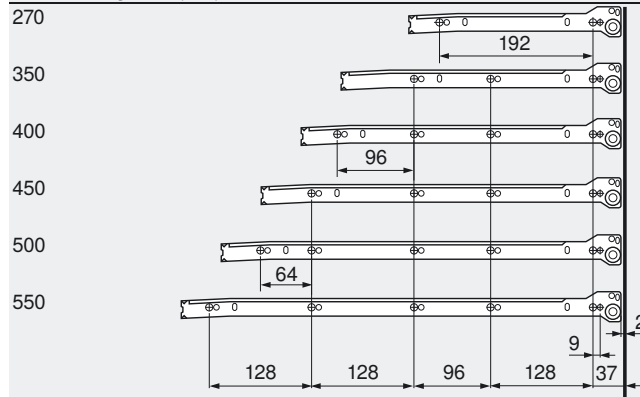


Planning

Space requirements in cabinet	Installation dimensions for screw-on front	Drilling dimensions for knock-in or EXPANDO front	Back installation dimensions
* + 3 mm for inner drawer	FA Front overlay Drawer Inner drawer	Drawer	

Cabinet profile screw positions

Nominal length NL (mm)

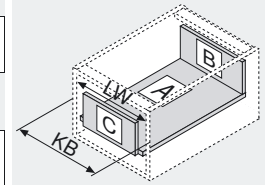
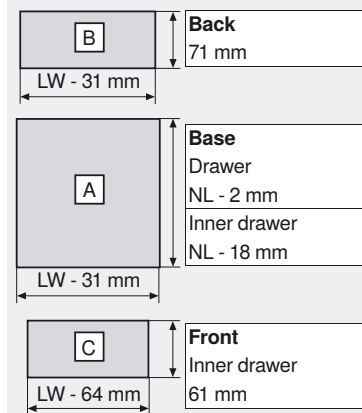


Min. internal cabinet depth = nominal length NL + 4 mm

Cabinet profile fixing positions

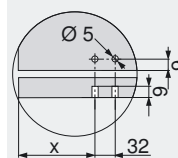
393

Cutting dimensions for 16 mm chipboard



KB Cabinet width
LW Internal cabinet width
NL Nominal length

Base assembly for quick assembly version



	X (mm)
Drawer	69
Inner drawer	53

Page instructions

Overview – METABOX	356
Accessories	386
Assembly and adjustment	394
Assembly devices	556
More technical details	658

METABOX