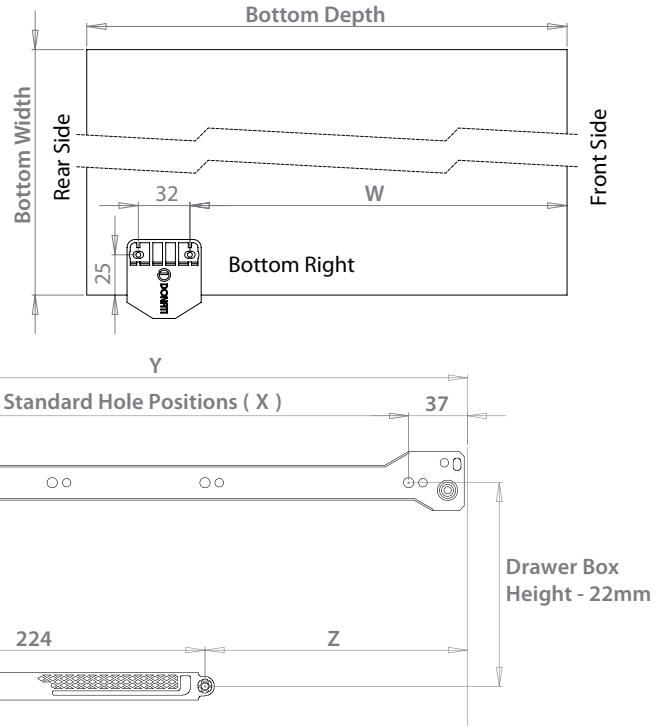
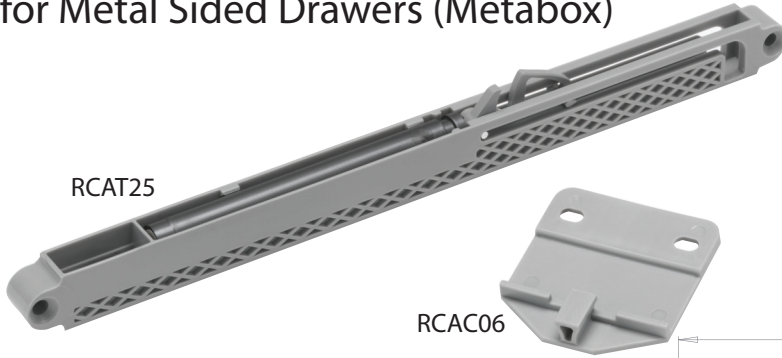


HPP Instructions



Soft Close System Installation guide from Hill's Panel Products Ltd.

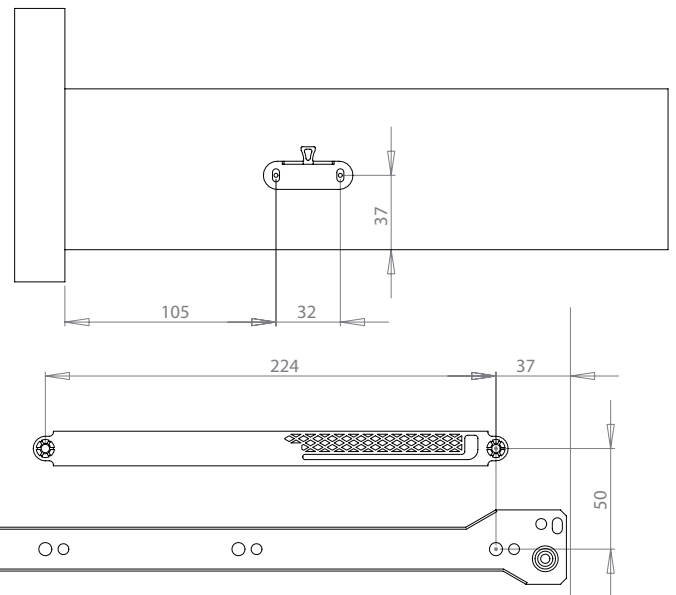
Soft Close System for Metal Sided Drawers (Metabox)



Nominal Length	Drill Positions (Cabinet)			Activator Position (Drawer)
	NL	X	Y	
270	224	261	37	106
350	224	261	37	106
400	352	389	165	234
450	352	389	165	234
500	416	453	229	298

- Load capacity 25kg.
- Tested at 40,000 cycles.

Soft Close System for Bottom Fixed Runners



Head Office

Hill's Panel Products Ltd.
Scottfield Road
Oldham
OL8 1LA

Company Reg. No. 2563787

Sheffield Branch

Hill's Panel Products Ltd.
Crown Works
Rotherham Road
Beighton
Sheffield
S20 1AH

Contact Us

National Sales Line:
0161 620 5656

National Free Fax Line:
0800 146 209

Other Enquiries:
0161 628 6100

Online

Website:
www.hpponline.co.uk

E-Mail:
info@hpponline.co.uk