

METABOX – pull-out system



► Basic elements

►► Single extension – drawer/inner drawer – H

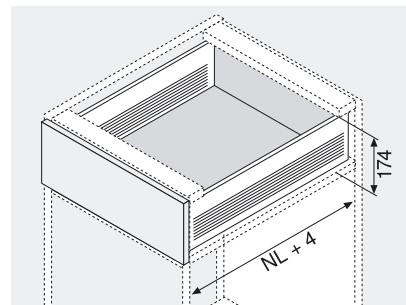
Product



Description

- Single extension with 150 mm high
- Epoxy coated steel drawer sides
- Drawer sides in cream (RAL 9001) as standard and in grey (RAL 9006) and white upon request
- High impact nylon rollers
- Dyn. load bearing 25 kg
- BLUMATIC self closing feature
- 2-dimensional front adjustment

Space requirement



NL Nominal length

Ordering information

METABOX

1		Cabinet profile drawer side left/right, RAL 9001 cream	
	Nominal length NL	Screw-on version	Quick assembly version
	350 mm	320H3500C	320H3500C15
	400 mm	320H4000C	320H4000C15
	450 mm	320H4500C	320H4500C15
	500 mm	320H5000C	320H5000C15
	550 mm	320H5500C	320H5500C15

Other colours available upon request (white or grey)

2a		CLIP-front fixing brackets	
		Screw-on version	ZSF.1200
		Knock-in version	ZSF.1300
		EXPANDO-version	ZSF.130E
		Order left and right	

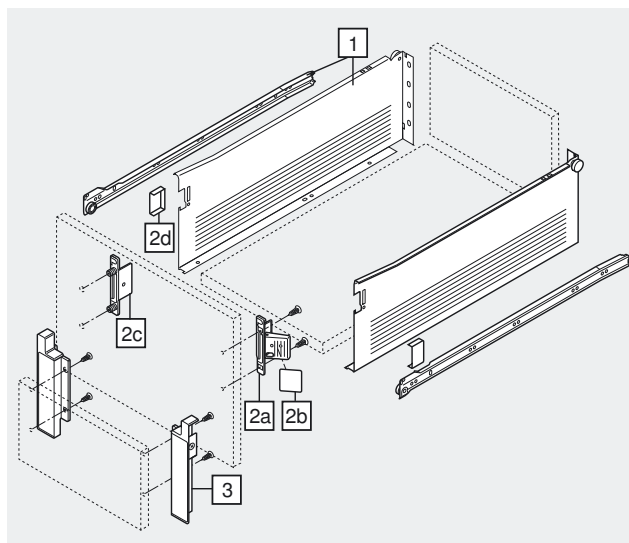
2b		Cover caps for 2a	
		RAL 9001 cream	ZAA.3700
		Nylon	
		Order left and right	

Alternative to 2a

2c		Standard front fixing brackets left	
		Screw-on version	ZSF.1700
		Knock-in version	ZSF.1800
		Order left and right	

2d		Cover caps for 2c	
		RAL 9001 cream	2 x ZAA.3500
		Nylon	

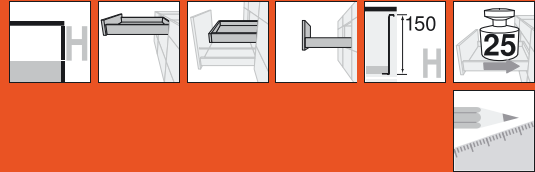
3		Front fixing for inner drawers	
		RAL 9001 cream	ZIF.3050
		Nylon	
		Order left and right	



METABOX – pull-out system

► Basic elements

►► Single extension – drawer/inner drawer – H

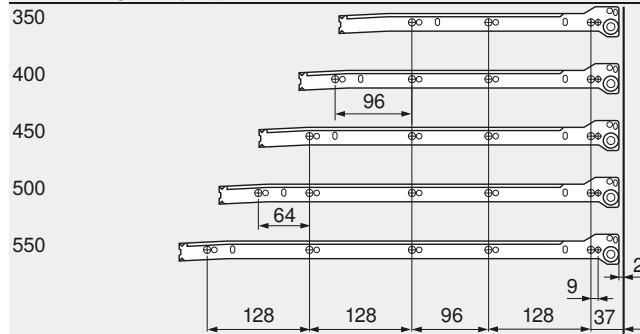


Planning

Space requirements in cabinet	Installation dimensions for screw-on front	Drilling dimensions for knock-in or EXPANDO front	Back installation dimensions
* + 3 mm for inner drawer	FA Front overlay Drawer Inner drawer	Drawer	

Cabinet profile screw positions

Nominal length NL (mm)



Min. internal cabinet depth = nominal length NL + 4 mm
Cabinet profile fixing positions

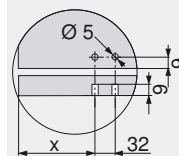
393

Cutting dimensions for 16 mm chipboard

	Back 135 mm	
	Base Drawer NL - 2 mm Inner drawer NL - 18 mm	
	Front Inner drawer 125 mm	

KB Cabinet width
LW Internal cabinet width
NL Nominal length

Base assembly for quick assembly version



	X (mm)
Drawer	69
Inner drawer	53

Page instructions

Overview – METABOX	356
Accessories	386
Assembly and adjustment	394
Assembly devices	556
More technical details	658

METABOX